

## Aerial Work Machinery



**Safety**

200 kilometer road test.  
Over 100,000 elevating fatigue tests.  
Low/Over-voltage protection system.  
Smart production line for quality units.  
Complied with safety requirements of CE and ANSI safety Standards.

**Cost Efficiency**

Ease of maintenance.  
Common and modular design.  
Durable structure with long service life.  
Lubrication-free for composite bearing.

**Productivity**

Small turning radius.  
Excellent gradeability.  
Large capacity battery.

**Simplicity**

Smooth to drive and elevate.  
Larger working space with extension deck.  
Swing-out engine tray for easy maintenance.  
Fold-down handrails for convenient transport.

**Productivity**

Max. Working slope-5°.  
300kg/454kg platform capacity.  
Let up to 3 people work onboard.

**Simplicity**

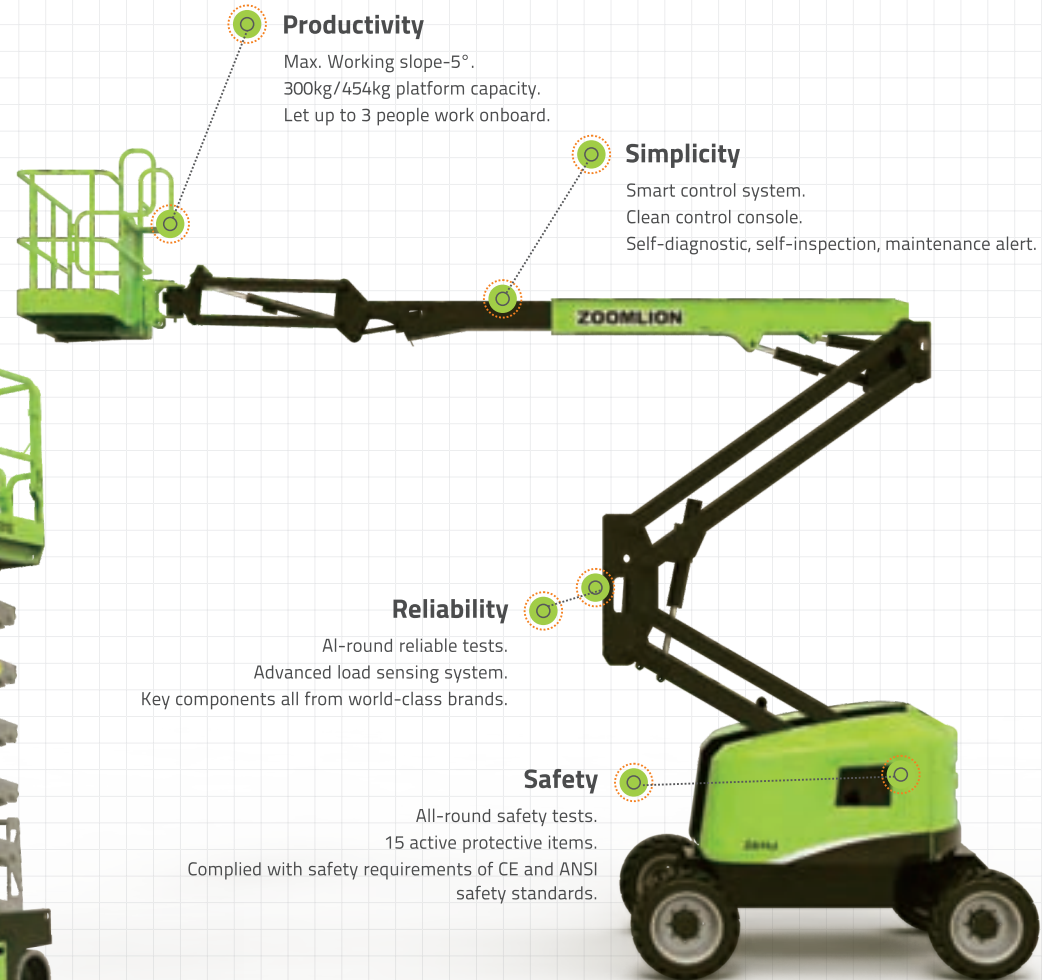
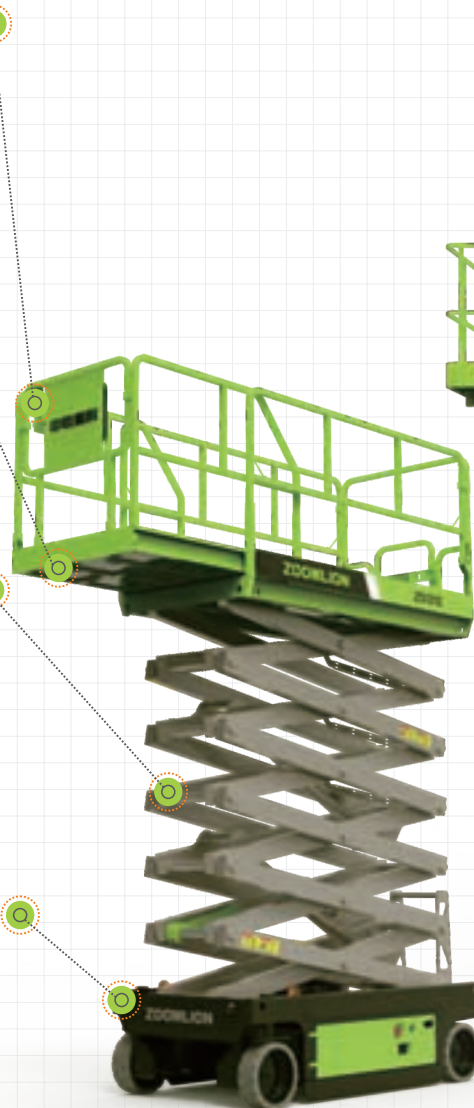
Smart control system.  
Clean control console.  
Self-diagnostic, self-inspection, maintenance alert.

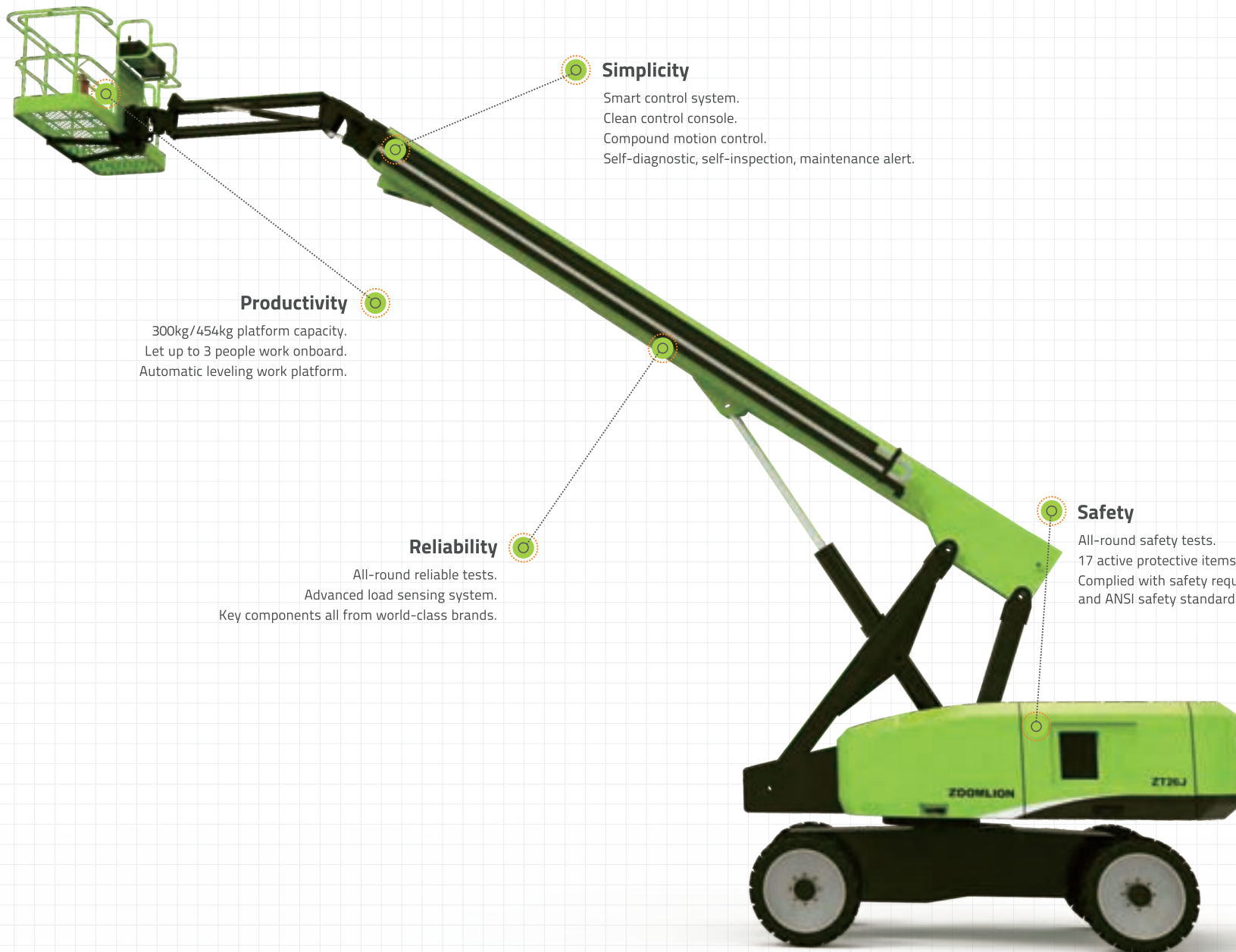
**Reliability**

All-round reliable tests.  
Advanced load sensing system.  
Key components all from world-class brands.

**Safety**

All-round safety tests.  
15 active protective items.  
Complied with safety requirements of CE and ANSI safety standards.





**Simplicity**

Smart control system.  
Clean control console.  
Compound motion control.  
Self-diagnostic, self-inspection, maintenance alert.

**Productivity**

300kg/454kg platform capacity.  
Let up to 3 people work onboard.  
Automatic leveling work platform.

**Reliability**

All-round reliable tests.  
Advanced load sensing system.  
Key components all from world-class brands.

**Safety**

All-round safety tests.  
17 active protective items.  
Complied with safety requirements of CE  
and ANSI safety standards.

